

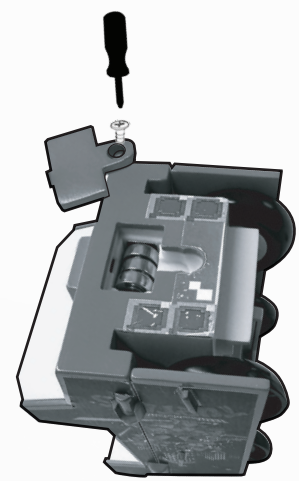


**ARCADE CRUISER™**



**BATTERY & POWER**

- INSTALL 3 AG13 BATTERIES



Read Operator's Manual

THIS PRODUCT REQUIRES 3 "AG13" (LR44) BATTERIES (INCLUDED). 1.5V x 3 ALKALINE BATTERIES ARE RECOMMENDED FOR BEST PERFORMANCE. BATTERIES SHOULD ONLY BE REPLACED BY AN ADULT.

**BATTERY REPLACEMENT:**  
 USE A SCREWDRIVER (NOT INCLUDED) TO REMOVE THE BATTERY COVER. PLACE NEW BATTERIES IN THE BATTERY COMPARTMENT AND REPLACE THE BATTERY COVER.

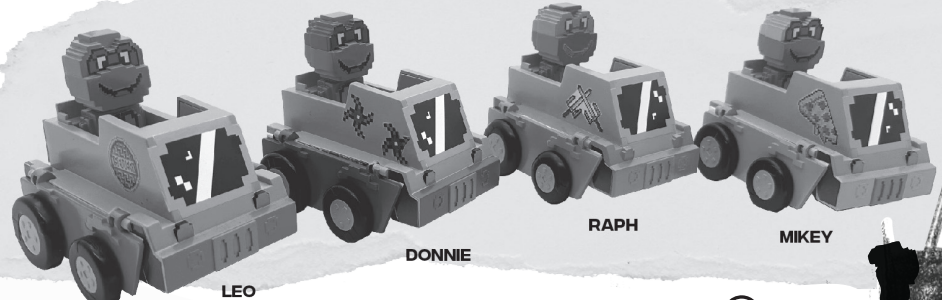
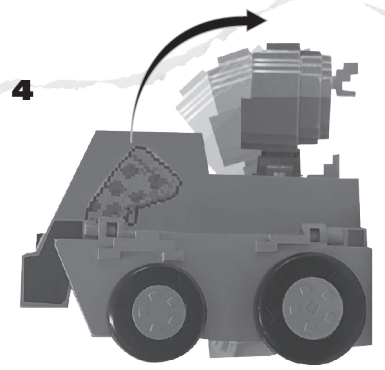
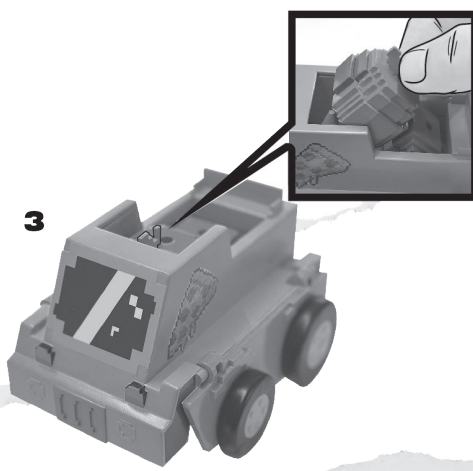
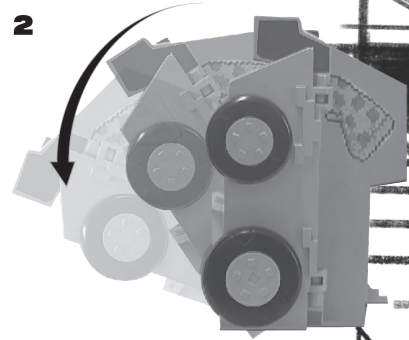
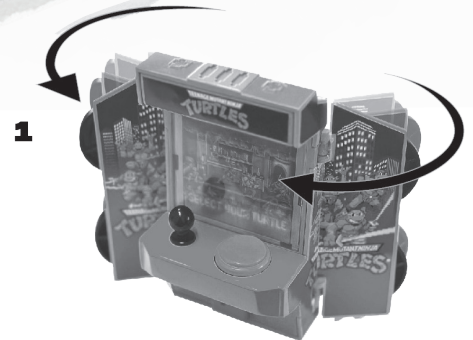
**BATTERY WARNINGS:**  
 USE ONLY BATTERIES OF THE SAME OR EQUIVALENT TYPE AS RECOMMENDED. DO NOT MIX OLD AND NEW BATTERIES. DO NOT MIX ALKALINE, STANDARD (CARBON-ZINC), OR RECHARGEABLE BATTERIES. REMOVE BATTERIES IF PRODUCT IS TO BE LEFT UNUSED FOR A LONG TIME. NON-RECHARGEABLE BATTERIES ARE NOT TO BE RECHARGED. BATTERIES ARE TO BE INSERTED WITH THE CORRECT POLARITY (+ AND -). EXHAUSTED BATTERIES ARE TO BE REMOVED FROM THE TOY. THE SUPPLY TERMINALS ARE NOT TO BE SHORT-CIRCUITED. RECHARGEABLE BATTERIES ARE TO BE REMOVED FROM THE TOY BEFORE BEING CHARGED. RECHARGEABLE BATTERIES ARE ONLY TO BE CHARGED UNDER ADULT SUPERVISION.

- WARNING: This product contains a Button or Coin Cell Battery. A swallowed Button or Coin Cell Battery can cause internal chemical burns in as little as two hours and lead to death. Dispose of used batteries immediately. Keep new and used batteries away from children. If you think batteries might have been swallowed or placed inside any part of the body, seek immediate medical attention. In Australia, call the 24-hour Poisons Information Centre on 13 11 26 for fast, expert advice.
- WARNING -KEEP BATTERIES OUT OF REACH OF CHILDREN
- Examine devices and make sure the battery compartment is correctly secured, e.g. that the screw or other mechanical fastener is tightened. Do not use if compartment is not secure.



MODEL : 71272

**TRANSFORMING**



**3+**

\* All instruction sheets must be retained since it contains important information.

© 2025 Viacom Overseas Holdings C.V. All Rights Reserved.

