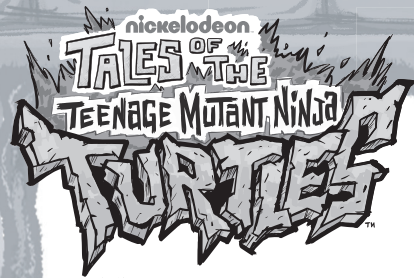
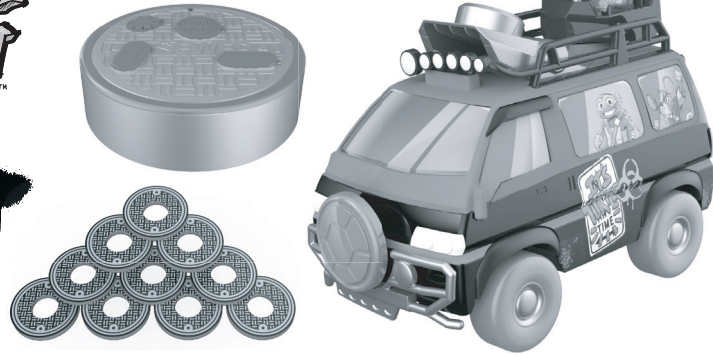


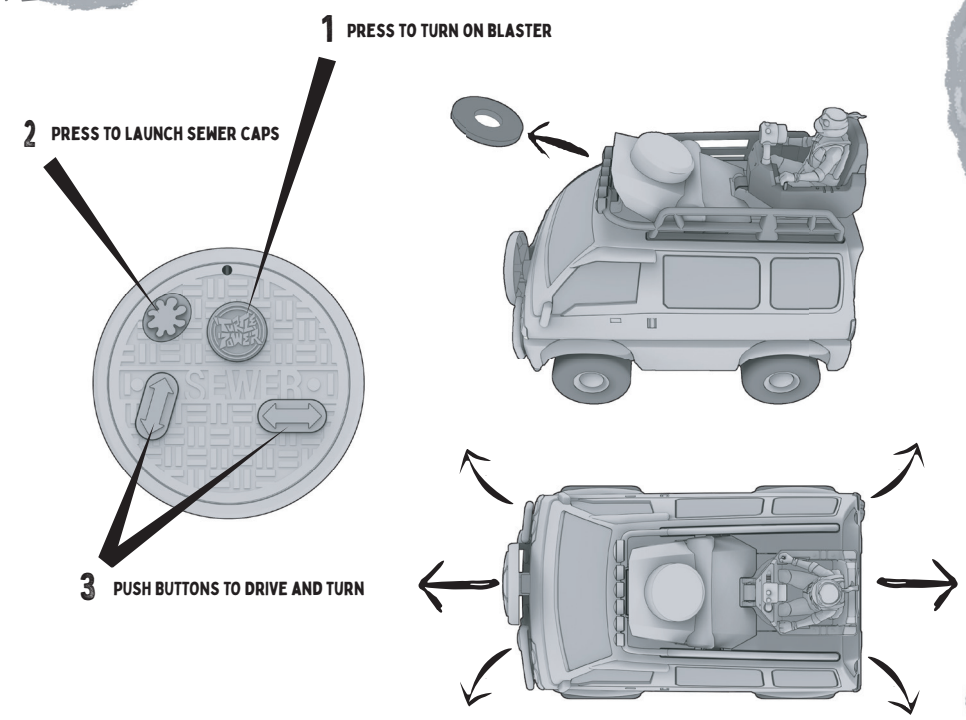
#71279 INST\_US  
 SIZE: 149 x 209 mm  
 BLANK SIZE: 298 X 209 mm  
 JOB NO.: T-056-25  
 DATE: APR 22, 2025



**SEWER CAP STRIKER RC**  
 LEO



**3. REMOTE FUNCTIONS**



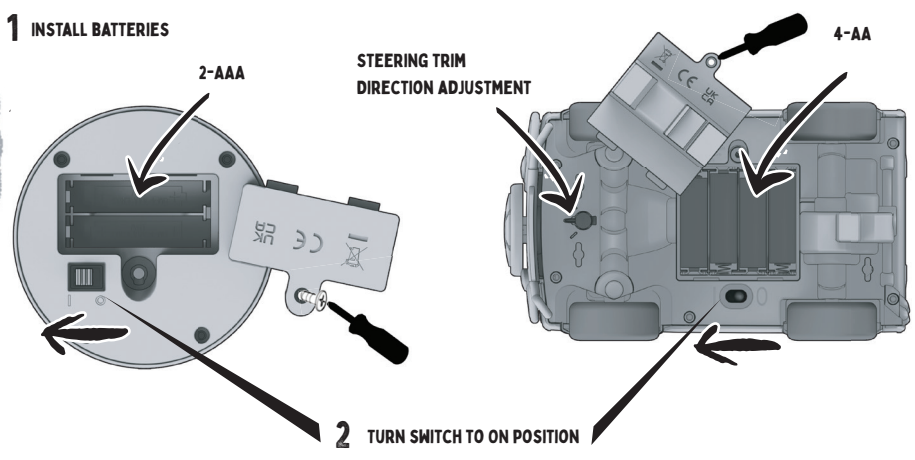
FCC label compliance statement:  
 This device complies with part 15 of the FCC rules.  
 Operation is subject to the following two conditions:  
 1. This device may not cause harmful interference, and  
 2. This device must accept any interference received, including interference that may cause undesired operation.  
 Note: This equipment has been tested and found to comply with the limits for a Class B digital device, pursuant to Part 15 of the FCC Rules. These limits are designed to provide reasonable protection against harmful interference in a residential installation. This equipment generates, uses and can radiate radio frequency energy and, if not installed and used in accordance with the instructions, may cause harmful interference to radio communications. However, there is no guarantee that interference will not occur in a particular installation. If this equipment does cause harmful interference to radio or television reception, which can be determined by turning the equipment off and on, the user is encouraged to try to correct the interference by one or more of the following measures:  
 - Reorient or relocate the receiving antenna  
 - Increase the separation between the equipment and receiver  
 - Connect the equipment into an outlet on a circuit different from that to which the receiver is connected  
 - Consult the dealer or an experienced radio/TV technician for help  
 Warning: Changes or modifications to this unit not expressly approved by the party responsible for compliance could void the user's authority to operate the equipment

We reserve the right to improve/amend specifications and colors without notice.

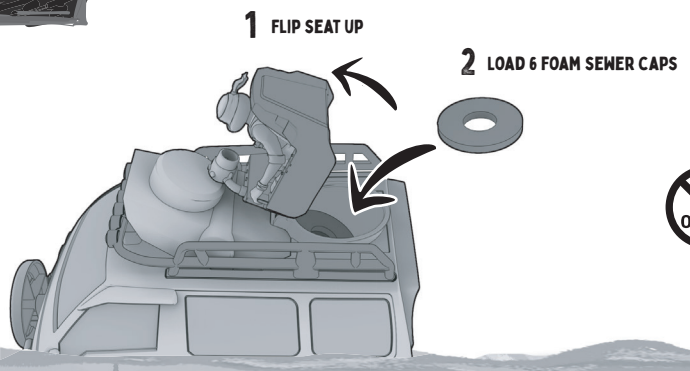
\* All instruction sheets must be retained since it contains important information.  
 Do not return to store  
 For support/customer service please contact  
 customerservice@funrise.com

Funrise  
 MADE IN VIETNAM  
 Distributed by Funrise, Inc., SHERMAN OAKS,  
 CA 91403, U.S.A.  
 1-800-882-3808  
 TEENAGEMUTANTNINJATURTLES.FUNRISE.COM

**1. BATTERY & POWER**



**2. LOADING**



Warning! Not suitable for children under 36 months. Small parts. Choking hazard.

FCC ID : 2AWSR-F71279A /  
 FCC ID : 2AWSR-F71279B  
 MODEL : 71279



© 2025 VIACOM.

© 2025 Viacom International Inc. All Rights Reserved.  
 Nickelodeon, Teenage Mutant Ninja Turtles, and all related titles, logos and characters are trademarks of Viacom International Inc.