

nickelodeon

# TEENAGE MUTANT NINJA TURTLES

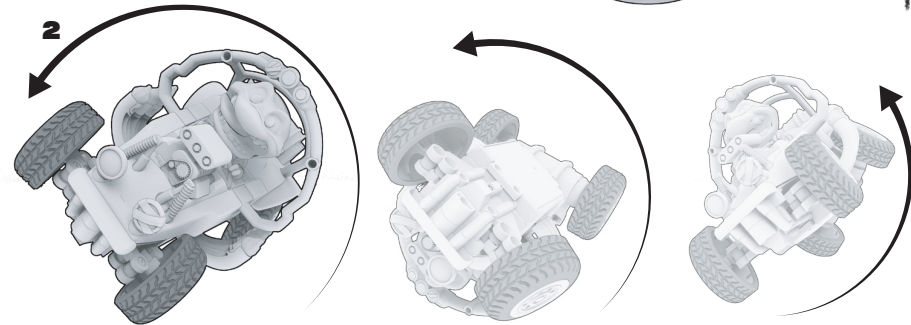
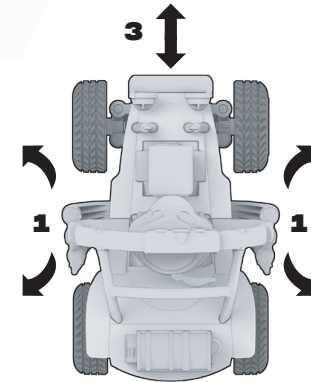
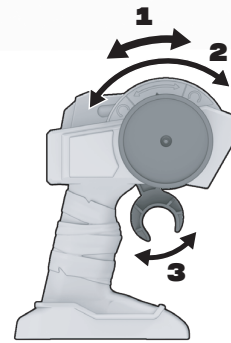
## ROLL-OVER RC™



**1, 2. ROTATE KNOB ON CONTROLLER TO TURN & ROLL-OVER**

## REMOTE FUNCTIONS

**3. PUSH/PULL TRIGGER TO DRIVE**



**NOTE:** If the vehicle is immobilized on its side, turn steering knob (2), then push/pull trigger (3) to upright car.

### FCC label compliance statement:

This device complies with part 15 of the FCC rules. Operation is subject to the following two conditions:  
1. This device may not cause harmful interference, and  
2. This device must accept any interference received, including interference that may cause undesired operation. Note: This equipment has been tested and found to comply with the limits for a Class B digital device, pursuant to Part 15 of the FCC Rules. These limits are designed to provide reasonable protection against harmful interference in a residential installation. This equipment generates, uses and can radiate radio frequency energy and, if not installed and used in accordance with the instructions, may cause harmful interference to radio communications. However, there is no guarantee that interference will not occur in a particular installation. If this equipment does cause harmful interference to radio or television reception, which can be determined by turning the equipment off and on, the user is encouraged to try to correct the interference by one or more of the following measures:  
- Reorient or relocate the receiving antenna  
- Increase the separation between the equipment and receiver  
- Connect the equipment into an outlet on a circuit different from that to which the receiver is connected  
- Consult the dealer or an experienced radio/TV technician for help  
Warning: Changes or modifications to this unit not expressly approved by the party responsible for compliance could void the user's authority to operate the equipment

The USB cable used with the electric toy shall be regularly examined for damage to the supply cord, plug, enclosure or other parts, and in the event of damage, it shall not be used until the damage has been repaired.

**CAUTION:** Risk of Fire and Burns. Do Not Open, Crush, Heat Above 80°C or Incinerate. Follow Manufacturer's Instructions.

## BATTERY & POWER

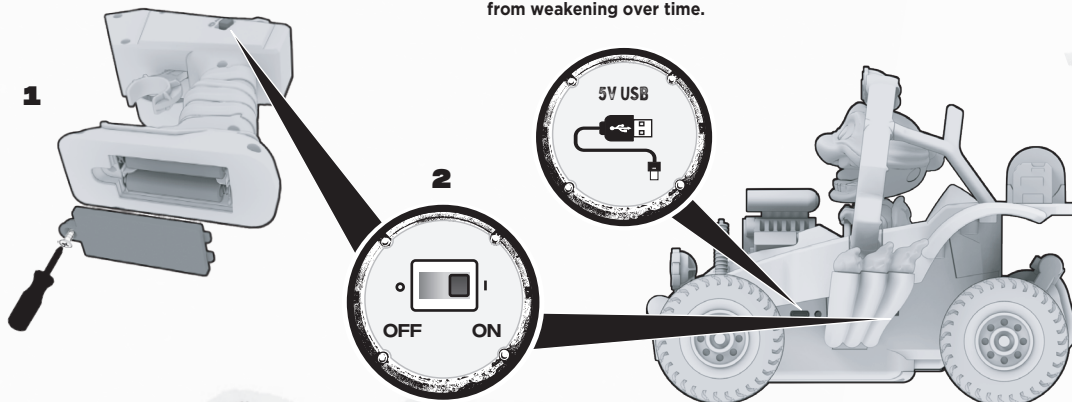
1. INSTALL 2 AAA BATTERIES
2. SLIDE SWITCH TO "ON" POSITION

**Note:** Always turn off when not in use

### CHARGING INDICATOR

CHARGING: RED  
CHARGED: GREEN  
PAIRING: CONTROLLER BLINKING

Please fully charge the toy for the first time and always keep the battery in fully charged condition even when the toy is not in use. This will help to ensure that your battery will work properly and prevent it from weakening over time.



5+

We reserve the right to improve/amend specifications and colors without notice.

\* All instruction sheets must be retained since it contains important information.

© 2024 Viacom Overseas Holdings C.V. All Rights Reserved.



FCC ID : 2AWSR-F71136A /  
FCC ID : 2AWSR-F71136B  
MODEL : 71136



Distributed by Funrise, Inc., Sherman Oaks, CA 91403 U.S.A.  
1800-882-3808